

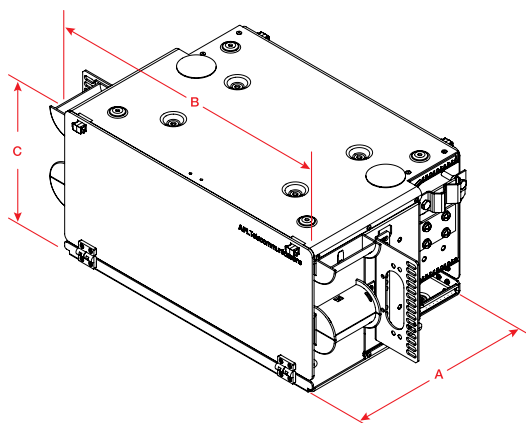
LightLink™ LANSystem™ CON144P Fiber Termination Patch Panel



The CON144P Fiber Termination Panel is used where termination and connectivity of up to 144 fibers (standard density) or 288 (high density) is desired. The panel design is based on a 5 rack unit height with a master plate to accommodate 12 LGX® (170 mm) compatible adapter plates. Standard panels are available in empty, loaded and preterminated versions. Loaded panels include adapters and adapter plates. Preterminated panels include adapters, adapter plates and standard 144 fiber OFNR cable. The fiber stub for preterminated panels exits the right rear of the unit facing up. High density panels use two 144 fiber stubs for 288 terminations.

Dimensions

DEPTH (A) IN INCHES	WIDTH (B) IN INCHES	HEIGHT (C) IN INCHES	RACK UNITS	FIBER CAPACITY	UNLOADED WEIGHT	MATERIAL GAUGE
11	17	8.75	5	144/288	9 lbs.	2.03 mm



LGX is a registered trademark of Furukawa Electric North America, Inc.

Features

- Fits comfortably into new and existing interconnect, cross-connect, customer premise, and co-location environments
- Various connector styles & types available
- Compatible with industry standard equipment frames
- LGX® compatible master plate (170mm)
- Modular design
- Provides maximum protection of optical components
- Available with I/O loose tube stub

Applications

- Telecommunication Closets
- Data Centers
- Customer Premise
- Local Area Networks
- Wide Area Networks
- Central Offices
- Hubs
- Cabinets
- Remote Terminals

Specifications

- Telcordia GR-63 NEBS Tested
- Aluminum Material per ASTM B209, Standard Front Cover Lexan
- Central Office White, Black, Texture Powder Coated
- Universal Mounting Bracket WECO, EIA
- 19" and 23" Rack Compatible

LightLink™ LANSystem™ CON144P Fiber Termination Patch Panel

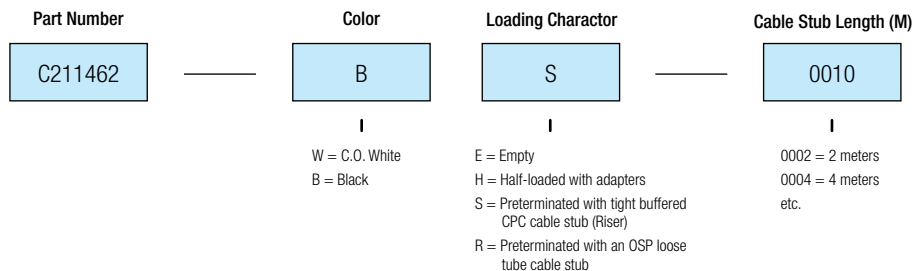
Ordering Information

PART NUMBER	CONFIGURATION
5 RU PATCH PANELS	
C211453	CON144P – EMPTY 170 LGX
C211462	CON144P with 144 USC (PB) adapters (12 Twelve Packs) 170 LGX (Blue)
C211471	CON144P with 144 PSC adapters (12 Twelve Packs) 170 LGX (Beige)
C211498	CON144P with 144 UST adapters (12 Twelve Packs) 170 LGX
C211507	CON144P with 144 PST adapters (12 Twelve Packs) 170 LGX
FM000206	CON144P with 72 UDL (dup) adapters (12 Six Packs) 170 LGX (Blue)
FM000207	CON144P with 72 PDL (dup) adapters (12 Six Packs) 170 LGX (Beige)
C214009	CON144P with 144 ASC adapters (12 Twelve Packs) 170 LGX (Green)
C213995	CON144P with 144 UFC adapters (12 Twelve Packs) 170 LGX
C214006	CON144P with 144 USC (ZR) adapters (12 Twelve Packs) 170 LGX (Blue)
FM000208	CON144P with 72 PSF (dup) adapters (12 Six Packs) 170 LGX (Beige)
FM000209	CON144P with 72 USF (dup) adapters (12 Six Packs) 170 LGX (Blue)
FM000210	CON144P with 72 ASF (dup) adapters (12 Six Packs) 170 LGX (Green)
FM000211	CON144P with 144 MTRJ adapters (12 Twelve Packs) 170 LGX
5 RU HIGH DENSITY PATCH PANELS (USES TWO 144 STUBS)	
C211511	CON288HD with 144 UDL (dup) adapters (12 Twelve Packs) 170 LGX 288 Fibers
FM000346	CON288HD with 144 ADL (dup) adapters (12 Twelve Packs) 170 LGX 288 Fibers
C211522	CON288HD with 144 PDL (dup) adapters (12 Twelve Packs) 170 LGX 288 Fibers
C211475	CON288HD with 144 PSF (dup) adapters (12 Twelve Packs) 170 LGX 288 Fibers
FM000212	CON288HD with 144 USF (dup) adapters (12 Twelve Packs) 170 LGX 288 Fibers
FM000213	CON288HD with 144 ASF (dup) adapters (12 Twelve Packs) 170 LGX 288 Fibers

Note: All MM cable is 62.5µm unless otherwise specified.

Ordering Information

Select the seven digit part number of the panel you need, specify black or C.O. white, and choose the loading character desired. When ordering stubbed (S), enter the cable stub length required in meters.



Example: Order number for a panel Black in color, loaded with 144 USC adapters (12 twelve packs), connectors and a cable stub 10 meters in length.

Connector/Adapter Key

TYPE	DESCRIPTION
ASC	Angle Polish SC (ZR) sleeve-SM
ASF	Angle Polish SC Duplex (ZR) sleeve-SM
PSC	Physical Polish SC (PB) sleeve-MM
PSF	Physical Polish SC Duplex (PB) sleeve-MM
USC (PB)	Ultra Polish SC with (PB) sleeve-SM
USC (ZR)	Ultra Polish SC with (ZR) sleeve-SM
USF	Ultra Polish SC Duplex (ZR) sleeve-SM
PST	Physical Polish ST (PB) sleeve-MM
UST	Ultra Polish ST (ZR) sleeve-SM
AFC	Angle Polish FC (ZR) sleeve-SM
PFC	Physical Polish FC (PB) sleeve-MM
UFC	Ultra Polish FC (ZR) sleeve-SM
ADL	Angle Polish LC Duplex (ZR) sleeve-SM
PDL	Physical Polish LC Duplex (PB) sleeve-MM
PLC	Physical Polish LC (PB) sleeve-MM
UDL (ZR)	Ultra Polish LC Duplex (ZR) sleeve-SM
UDL (PB)	Ultra Polish LC Duplex (PB) sleeve-SM
ULC	Ultra Polish LC (ZR) sleeve-SM