

LightLink™ LANSystem™ CNS144P - 144 Fiber Patch and Splice Panel



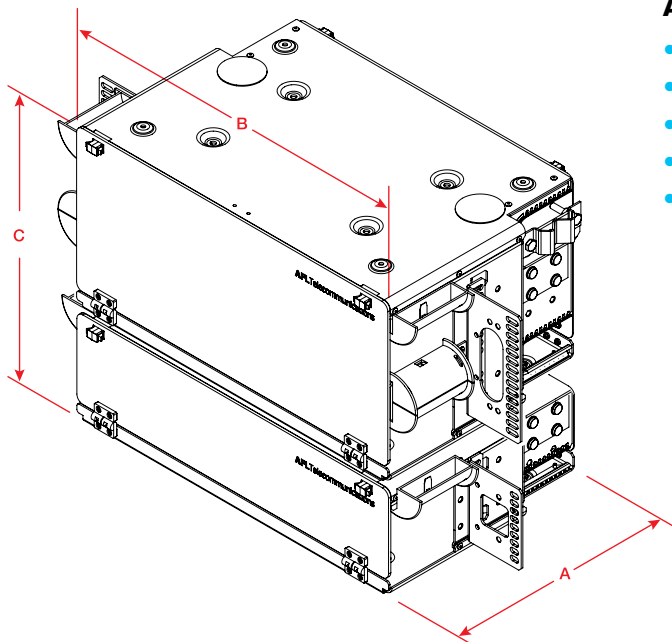
The CNS144P is a rack mountable fiber patch and splice panel designed to accommodate up to 144 fiber terminations (standard density) or 288 fiber terminations (high density) and up to 288 single fusion splices using double density splice trays. The CNS144P provides a compact and versatile method of splicing and connectivity. Standard panels are available in empty, loaded and unloaded versions. Unloaded panels include adapter plates, adapters and splice drawers. Loaded panels also include pigtails (<3 Meters).

Specifications

- Telcordia GR-63 NEBS tested
- Aluminum Material per ASTM B209, Standard Front Cover Lexan
- Central Office White, Black, Texture Powder Coated
- Universal Mounting Bracket - WECCO, EIA
- 19" and 23" rack compatible
- Fiber storage capacity - one meter per spliced fiber (3mm jacket)
- Uses six STF-48 splice drawers
- Two pane package - 5U patch, 3U splice (4U splice panel with High Density version)
- Twelve 170mm LGX® positions

Dimensions

PANEL VERSION	DEPTH (A) IN INCHES	WIDTH (B) IN INCHES	HEIGHT (C) IN INCHES	RACK UNITS	FIBER CAPACITY
Standard	11	17	14	8	144
High Density	11	17	15.75	9	288



Applications

- Telecommunication Closets
- Data Centers
- Customer Premise
- Local Area Networks
- Wide Area Networks
- Central Offices
- Hubs
- Cabinets
- Remote Terminals

LGX is a registered trademark of Furukawa Electric North America, Inc.

LightLink™ LANSystem™ CNS144P - 144 Fiber Patch and Splice Panel

Standard Panel Ordering Information

PART NO.	CONFIGURATION
8U PATCH AND SPLICE PANELS (1 - 5U PATCH, 1 - 3U SPLICE)	
C211696	CNS144P – EMPTY
C211705	CNS144P with 144 USC (PB) adapters (12 Twelve Packs) Splice Drawers (3 - 48 position) 170 LGX
C211714	CNS144P with 144 PSC adapters (12 Twelve Packs) Splice Drawers (3 - 48 position) 170 LGX
C211741	CNS144P with 144 UST adapters (12 Twelve Packs) Splice Drawers (3 - 48 position) 170 LGX
C211750	CNS144P with 144 PST adapters (12 Twelve Packs) Splice Drawers (3 - 48 position) 170 LGX
FM000258	CNS144P with 72 UDL (dup) adapters (12 Six Packs) Splice Drawers (3 - 48 position) 170 LGX
FM000259	CNS144P with 72 PDL (dup) adapters (12 Six Packs) Splice Drawers (3 - 48 position) 170 LGX
C211021	CNS144P with 144 ASC adapters (12 Twelve Packs) Splice Drawers (3 - 48 position) 170 LGX
C211007	CNS144P with 144 UFC adapters (12 Twelve Packs) Splice Drawers (3 - 48 position) 170 LGX
FM000260	CNS144P with 144 USC (ZR) adapters (12 Twelve Packs) Splice Drawers (3 - 48 position) 170 LGX
FM000261	CNS144P with 72 PSF (dup) adapters (12 Six Packs) Splice Drawers (3 - 48 position) 170 LGX
FM000262	CNS144P with 72 USF (dup) adapters (12 Six Packs) Splice Drawers (3 - 48 position) 170 LGX
FM000263	CNS144P with 72 ASF (dup) adapters (12 Six Packs) Splice Drawers (3 - 48 position) 170 LGX
FM000264	CNS144P with 144 MTRJ adapters (12 Twelve Packs) Splice Drawers (3 - 48 position) 170 LGX
9U HIGH DENSITY PATCH AND SPLICE PANELS (1 - 5U PATCH, 1 - 4U SPLICE)	
C211756	CNS288HD with 144 UDL (dup) adapters (12 Twelve Packs) Splice Drawers (6 - 48 position) 170 LGX
C211763	CNS288HD with 144 PDL (dup) adapters (12 Twelve Packs) Splice Drawers (6 - 48 position) 170 LGX
C211720	CNS288HD with 144 PSF (dup) adapters (12 Twelve Packs) Splice Drawers (6 - 48 position) 170 LGX
FM000265	CNS288HD with 144 USF (dup) adapters (12 Twelve Packs) Splice Drawers (6 - 48 position) 170 LGX
FM000266	CNS288HD with 144 ASF (dup) adapters (12 Twelve Packs) Splice Drawers (6 - 48 position) 170 LGX

Note: All MM cable is 62.5µm unless otherwise specified.

Accessories

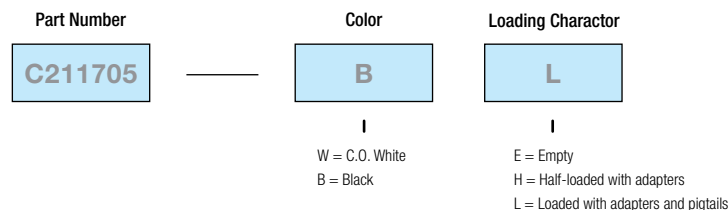
PART NO.	DESCRIPTION
911442-00-00	Telescoping Splice Drawer

Connector/Adapter Key

TYPE	DESCRIPTION
ASC	Angle Polish SC (ZR) sleeve-SM
ASF	Angle Polish SC Duplex (ZR) sleeve-SM
PSC	Physical Polish SC (PB) sleeve-MM
PSF	Physical Polish SC Duplex (PB) sleeve-MM
USC (PB)	Ultra Polish SC with (PB) sleeve-SM
USC (ZR)	Ultra Polish SC with (ZR) sleeve-SM
USF	Ultra Polish SC Duplex (ZR) sleeve-SM
PST	Physical Polish ST (PB) sleeve-MM
UST	Ultra Polish ST (ZR) sleeve-SM
AFC	Angle Polish FC (ZR) sleeve-SM
PFC	Physical Polish FC (PB) sleeve-MM
UFC	Ultra Polish FC (ZR) sleeve-SM
ADL	Angle Polish LC Duplex (ZR) sleeve-SM
PDL	Physical Polish LC Duplex (PB) sleeve-MM
PLC	Physical Polish LC (PB) sleeve-MM
UDL (ZR)	Ultra Polish LC Duplex (ZR) sleeve-SM
UDL (PB)	Ultra Polish LC Duplex (PB) sleeve-SM
ULC	Ultra Polish LC (ZR) sleeve-SM

Ordering Information

Select the seven digit part number of the panel you need, specify black or C.O. white, and choose the loading character desired.



Example: Order number for a panel Black in color, loaded with, master plate, adapter plates, 144 USC adapters (12 twelve packs), splice drawer (48 & up), pigtails with connectors, hardware, cable clamp.

Empty - Includes master plate, mounting hardware, cable clamp.

Unloaded - Includes master plate, adapter plates, adapters, splice tray (12, 24) / drawer (48 & up), hardware, cable clamp.

Loaded - Includes master plate, adapter plates, adapters, splice drawer (48 & up), pigtails with connectors, hardware, cable clamp.